

GMW90 Series Digital Carbon Dioxide, Temperature, and Humidity Transmitters for Demand Controlled Ventilation Applications



GMW90 Series Carbon Dioxide, Temperature and Humidity Transmitters for HVAC are available with either a display opening or a solid front.

The Vaisala GMW90 Series CARBOCAP® Carbon Dioxide, Temperature, and Humidity Transmitters are based on new measurement technology for even more reliable and stable readings yet than used to. These wall-mounted transmitters are easy to install and have very low maintenance requirements.

Designed for demand controlled ventilation, these transmitters measure carbon dioxide and temperature, with the option for humidity measurements. The instruments come with a calibration certificate that meets traceability and compliance requirements.

Reliability from Unique Measurement Technology

The GMW90 Series Transmitters use advanced Micro-Electro-Mechanical System (MEMS) technology for measuring carbon dioxide. The CARBOCAP® carbon dioxide sensor's continuous reference measurement enables reliable and accurate readings and outstanding long-term stability also in buildings with round-the-clock occupancy.

The new generation CARBOCAP® sensor no longer uses an incandescent light bulb, which limits sensor lifetime. This unique sensor consumes very little power compared to other sensors on the market. As a result, instrument self-heating is low and humidity and temperature can be measured correctly.

Convenient Installation

GMW90 Series Transmitters have been designed for quick and easy installation and maintenance. Every model includes a display for easy startup and convenient maintenance. To protect the sensor from dust and dirt during construction and installation, the units can be cabled with back-plate only. Electronics can be snapped on later at an appropriate phase in the construction project. Dip switches make it quick and easy to configure the transmitters.

Easy Calibration

Regular instrument maintenance guarantees a long product lifetime. Calibration is easiest done with the exchangeable measurement modules.

Features/Benefits

- Measured parameters: carbon dioxide, temperature, and humidity (optional)
- Superior long-term stability with the next generation Vaisala CARBOCAP® sensor
- Accurate temperature and humidity measurements in a three-parameter instrument due to the low-power microglow infrared source
- Quick and easy installation and maintenance
- Calibrated, user-exchangeable modules for carbon dioxide, temperature and humidity
- Traceable calibration (certification included)
- Digital communication with BACnet/Modbus
- Decorative cover available to match your building's interior design

BACnet in Brief

- A data communication protocol for Building Automation and Control networks
- Used in management, automation and field level communication
- ANSI, ISO, and ASHRAE standard protocol
- Adds flexibility by allowing the integration of products and systems from different manufacturers

Sensor traceability and measurement quality is easily maintained by snapping on a new module calibrated at Vaisala factory. The instrument can also be calibrated using a hand-held meter or reference gas bottle. The service interfaces are easy to reach by simply sliding the cover down. The closed cover keeps the measurement environment stable during calibration and ensures a top-quality final result.

Technical Data

Models

GMW95	CO ₂ +T	Digital (BACnet/Modbus) model
GMW95D	CO ₂ +T	Digital (BACnet/Modbus) model with display
GMW95R	CO ₂ +T+RH	Digital (BACnet/Modbus) model
GMW95RD	CO ₂ +T+RH	Digital (BACnet/Modbus) model with display

Performance

CARBON DIOXIDE		
Measurement range	0 ... 5000 ppm	
Accuracy		
+20 ... +30 °C (+68 ... +86 °F)	± (30 ppm + 2 % of reading)	
+10 ... +20 °C, +30 ... +40 °C (+50 ... +68 °F, +86 ... +104 °F)	± (35 ppm + 2.7 % of reading)	
-5 ... +10 °C, +40 ... +55 °C (+23 ... +50 °F, +104 ... +131 °F)	± (45 ppm + 3.8 % of reading)	
Stability in typical HVAC applications	Total accuracy at room temperature ±75 ppm at 600 and 1000 ppm incl. 5 years drift*	
Carbon dioxide sensor	Vaisala CARBOCAP® GM10	
TEMPERATURE		
Measurement range	-5 ... +55 °C (+23 ... +131 °F)	
Accuracy		
+20 ... +30 °C (+68 ... +86 °F)	±0.5 °C (±0.9 °F)	
+10 ... +20 °C, +30 ... +40 °C (+50 ... +68 °F, +86 ... +104 °F)	±0.6 °C (±1.08 °F)	
-5 ... +10 °C, +40...+55 °C (+23 ... +50 °F, +104 ... +131 °F)	±0.8 °C (±1.44 °F)	
Temperature sensor	Digital temperature sensor	
RELATIVE HUMIDITY		
Measurement range	0 ... 95 %RH	
Accuracy		
Temperature range	+10 ... +40 °C (+50 ... +104 °F)	
0 ... 60 %RH	±2.5 %RH	
60 ... 80 %RH	±3.0 %RH	
80 ... 95 %RH	±4.0 %RH	
Temperature range	-5 ... +10 °C, +40 ... +55 °C (+23 ... +50 °F, +104 ... +131 °F)	
0 ... 60 %RH	±3.5 %RH	
60 ... 80 %RH	±4.0 %RH	
80 ... 95 %RH	±5.0 %RH	
Stability in typical HVAC applications	±0.5 %RH/year	
Humidity sensor	Vaisala HUMICAP® 180R	

*Complies with CEC-400-2008-001-CMF

Operating Environment

Operating temperature range	-5 ... +55 °C (+23 ... +131 °F)
Operating humidity range	0 ... 95 %RH
	Dewpoint <30 °C (+86 °F)
Storage temperature range	-30 ... +60 °C (-22 ... +140 °F)
Electromagnetic compliance	EN61326-1, Industrial Environment

Spare Parts and Accessories

Temperature Module (CO ₂ +T models)	TM10SP
Humidity and Temperature Module (CO ₂ +T+RH models)	HTM10SP
Decorative cover set (10 pcs.)	236285
Connection cable for HM70 hand-held meter	219980
USB cable for PC connection	219690

Mechanics

IP class	IP30
Standard housing color	White (RAL9003*)
Housing material	ABS/PC, UL-V0 approved
Output connector	Screw terminals max. wire size 2 mm ² (AWG14)
Service port connector	4-pin M8
Weight	163 g

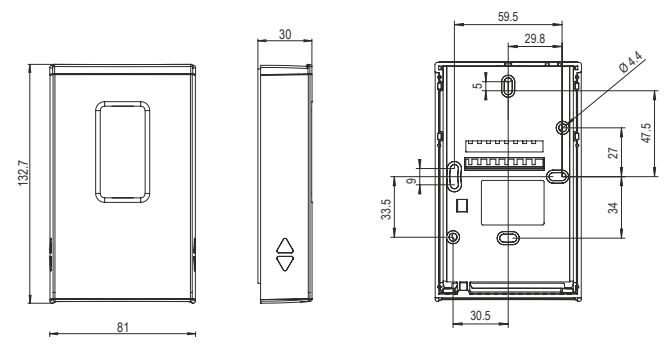
*RAL code is only indicative with potential small variations in color shade

Inputs and Outputs

Digital models		
Supply voltage	18 ... 35 VDC, 24 VAC ± 20% 50/60 Hz	
Max. current consumption (with 120 Ω termination)	50 mA at 24 VDC	
Output type	RS-485 (galvanic isolation, 1.5 kV)	
RS-485 end of line termination	Enable with jumper, 120 Ω	
Supported protocols	Selectable by DIP switch	
BACnet MS/TP		
Operating mode	Selectable Master/Slave	
Address range, master mode	0 ... 127	
Address range, slave mode	128...255	
Modbus RTU		
Address range	0 ... 247	
Service port	RS-485 line for temporary service use	

Dimensions

Dimensions in mm



VAISALA

www.vaisala.com

Please contact us at
www.vaisala.com/requestinfo



Scan the code for
 more information

Ref. B211296EN-A ©Vaisala 2013
 This material is subject to copyright protection, with all copyrights retained by Vaisala and its individual partners. All rights reserved. Any logos and/or product names are trademarks of Vaisala or its individual partners. The reproduction, transfer, distribution or storage of information contained in this brochure in any form without the prior written consent of Vaisala is strictly prohibited. All specifications — technical included — are subject to change without notice.

